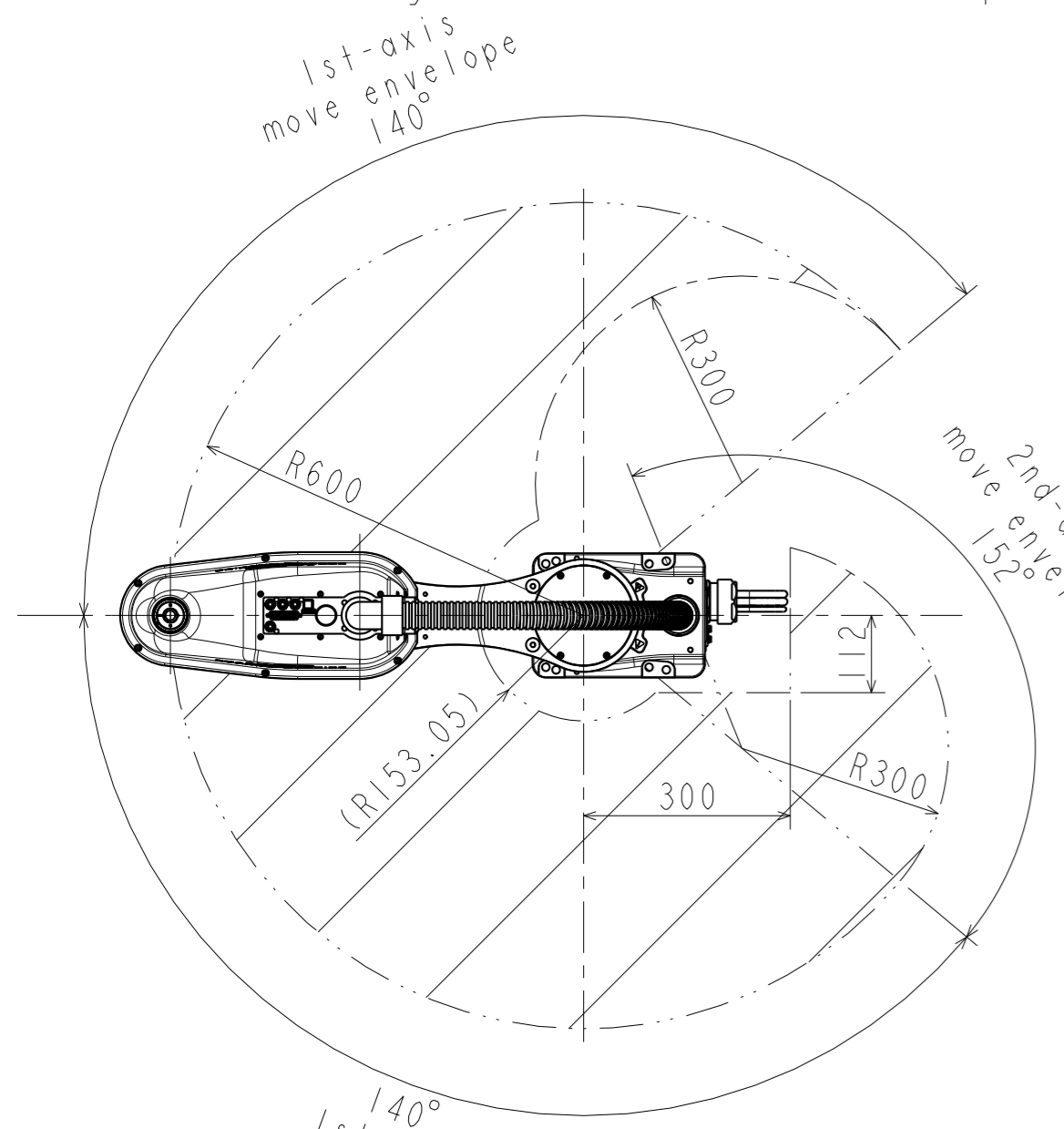
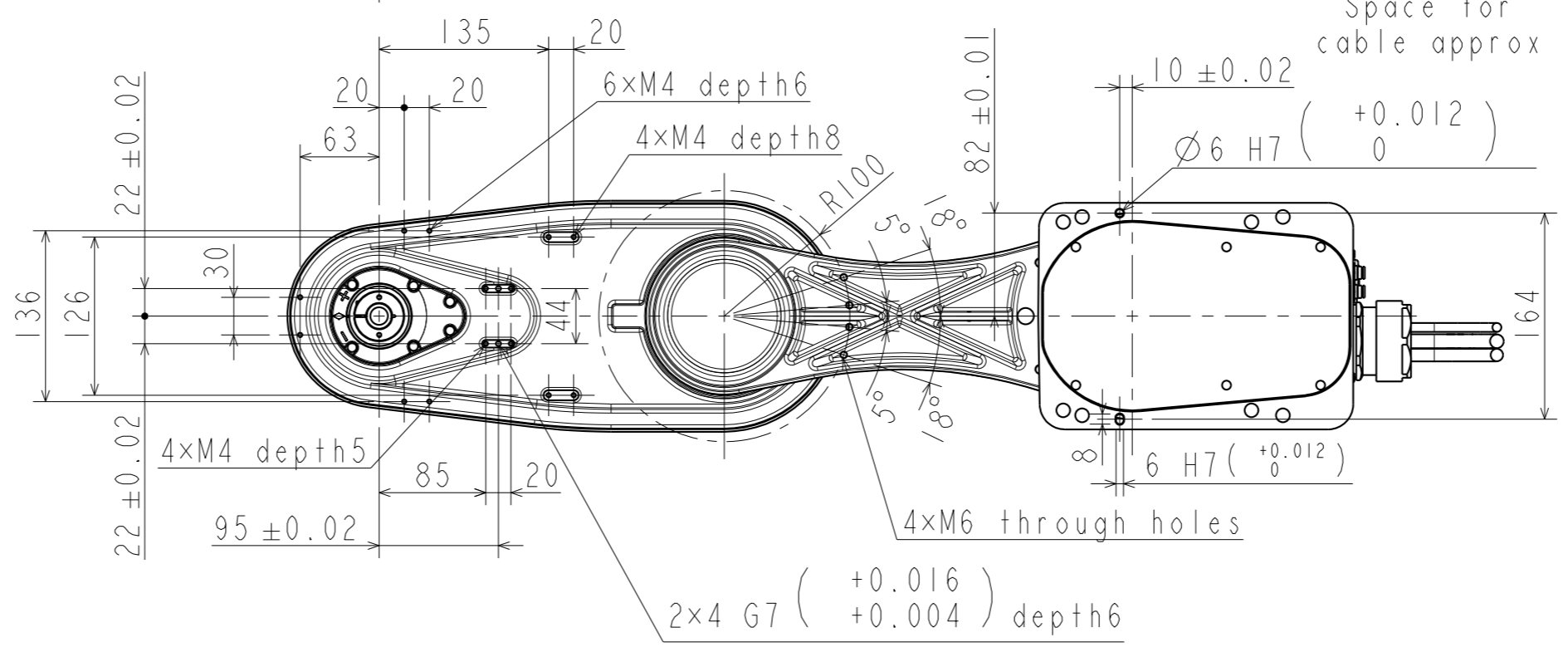
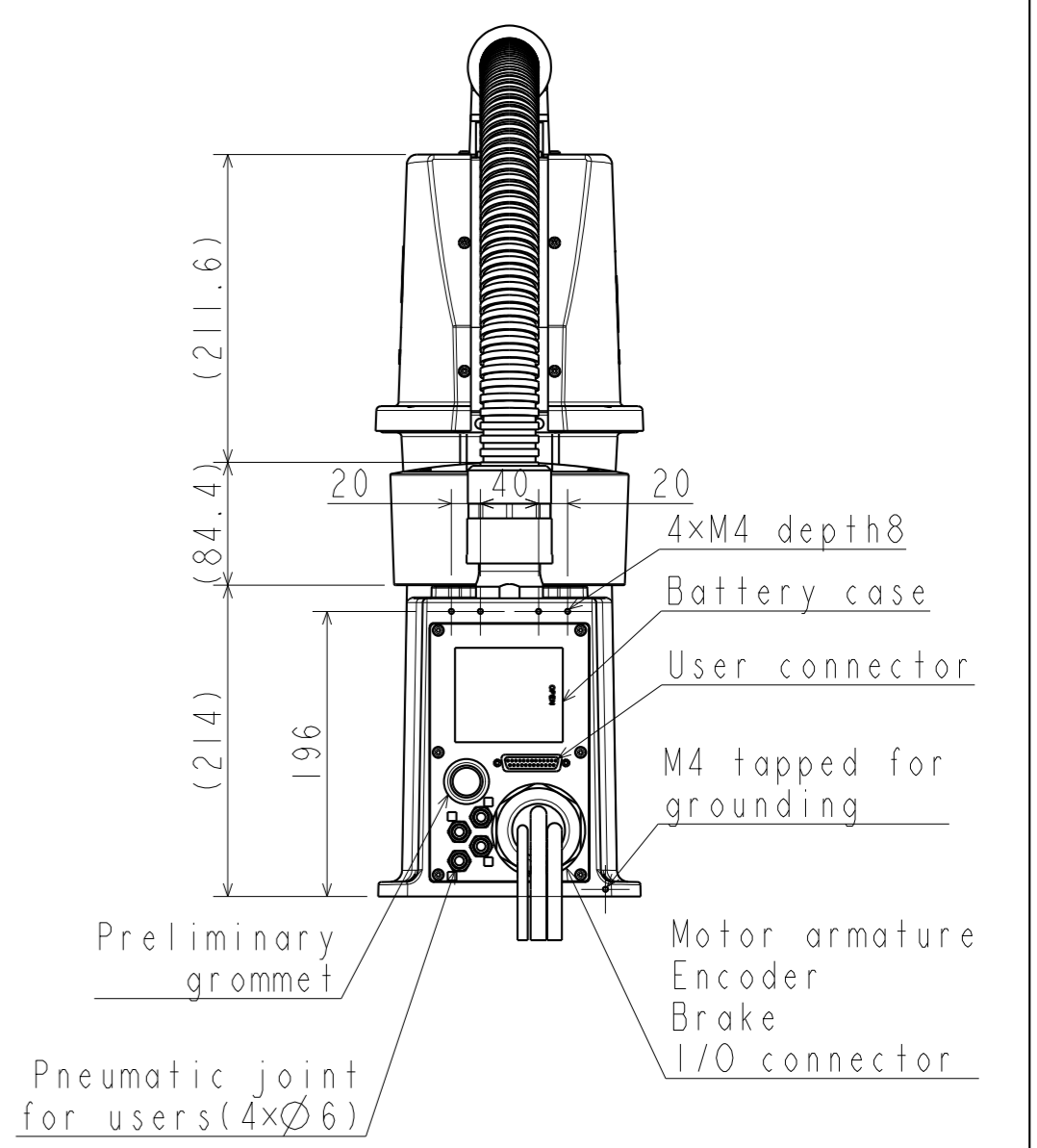
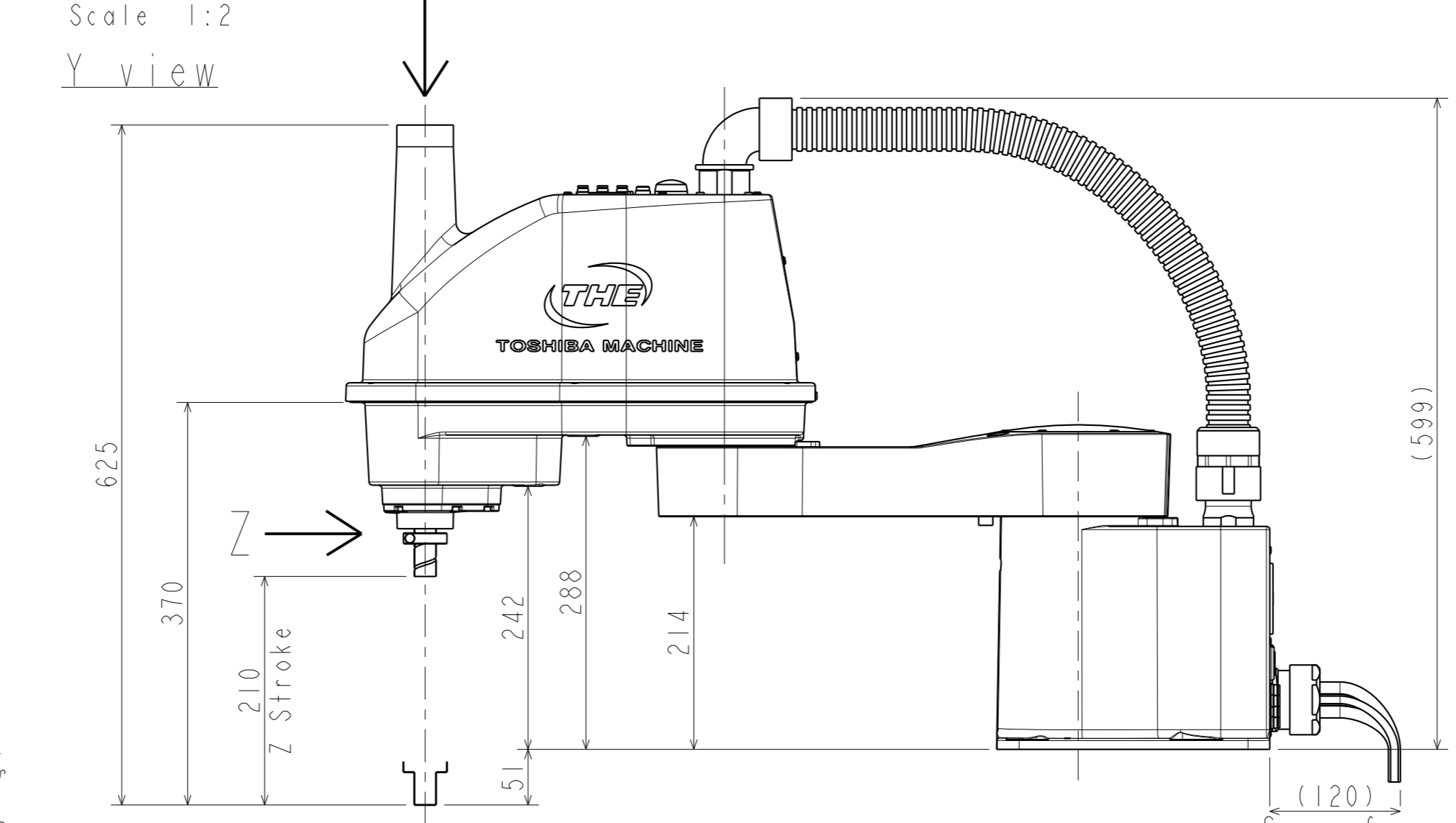
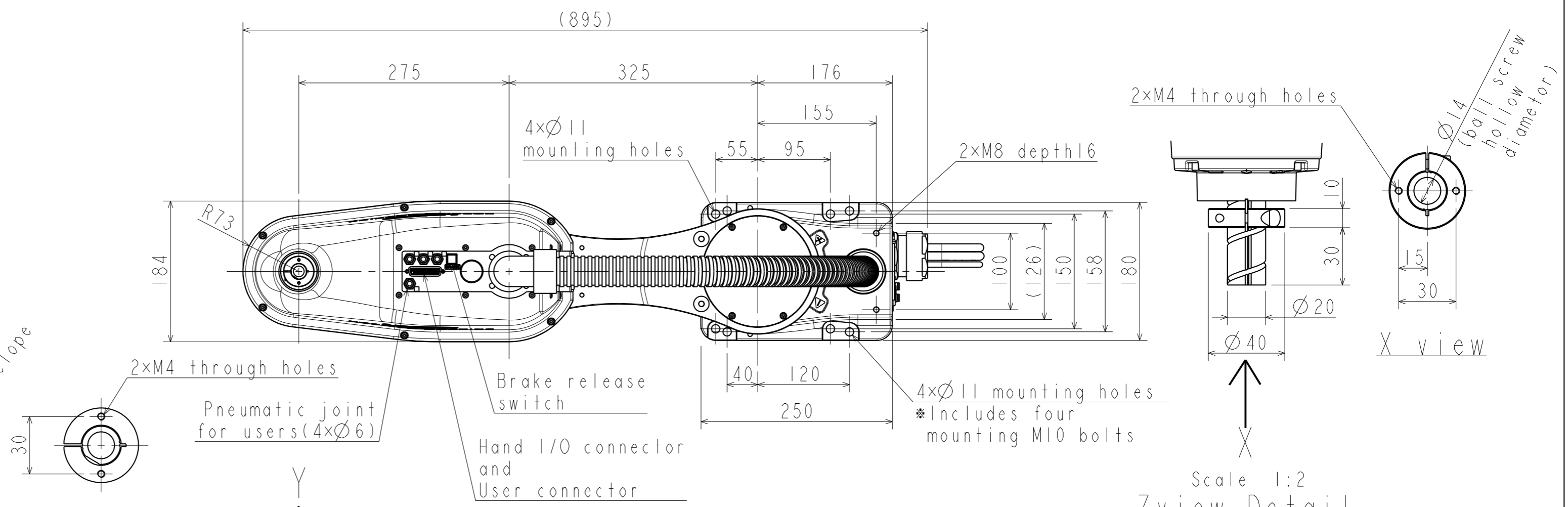


Lefty Move envelope



Righty Move envelope



|                           |           |
|---------------------------|-----------|
| System Robot Outline      |           |
| Scale 1:5                 |           |
| THE600                    |           |
| TOSHIBA MACHINE Co., Ltd. | S-2NS19-0 |